

VERSAPAK SERIES A ARTICULATING ARM CARTON/CASE PACKER



FEATURES AND BENEFITS

- **Ultra compact footprint** with nearly 100% useable space
- Sanitary stainless design - **available in washdown duty**
- **Zero maintenance design** - no adjustments required
- Easy to use PLC controls - **A-B CompactLogix**

VersaPak Series A

MECHANICAL FEATURES

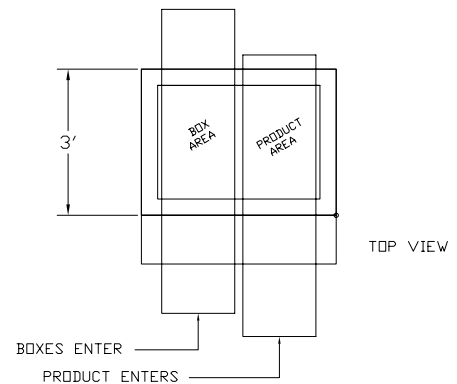
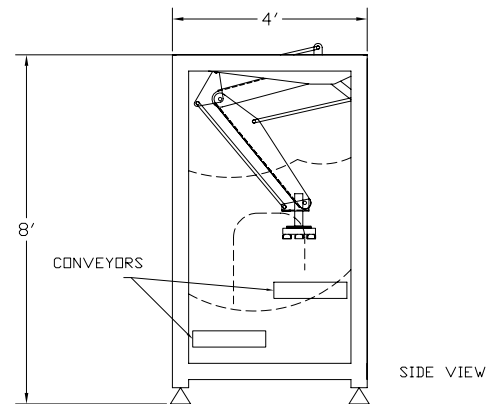
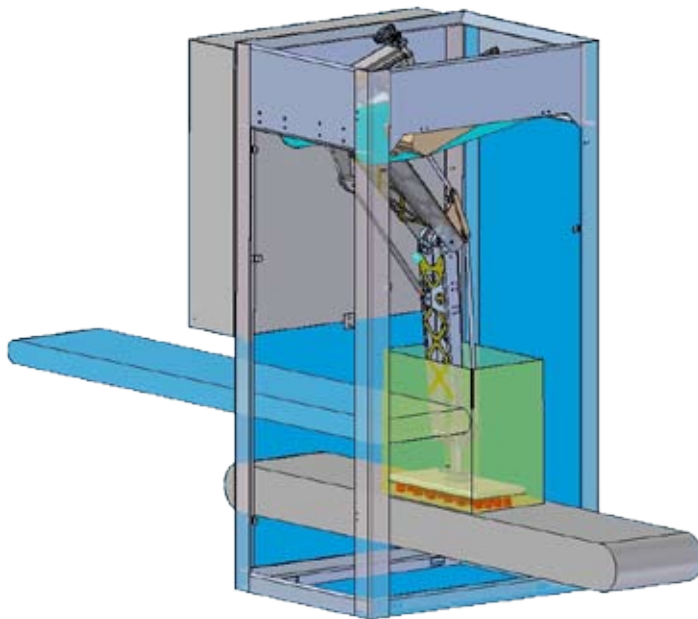
- Articulated arm
- Zero maintenance design requiring no adjustments
- Sanitary design without horizontal surfaces
- Interlocked Lexan guarding
- Small footprint (4' x 3') (1.22 m x .91 m) with almost 100% useable space for product and boxes

ELECTRICAL FEATURES

- NEMA 4X Rated
- Class III safety interlocked
- Allen Bradley CompactLogix PLC
- Allen Bradley PanelViewPlus 700 operator interface

SPECIFICATIONS

- Pick and Place Rate: 35 picks per minute (product dependent)
- Payload Weight: Up to 50 lbs. (22.7 kg)(tool plus product)
- 4' x 3' (1.22 m x .91 m) footprint



AUTOMATION TECHNOLOGIES

Headquarters:

2115 West Laburnum Avenue
Richmond, Virginia 23227
Tel: 1-800-225-3771
or 804-355-7961
Fax: 1-804-342-9724
sales@amfautomation.com

Europe Office:

West Park Ring Road
Leeds LS16 6QQ
England
Tel: 44-1132-787110
Fax: 44-1132-741415

FOR MORE INFORMATION PLEASE CALL YOUR ACCOUNT MANAGER OR

1-800-225-3771
www.amfautomation.com