



Ceiling Big Top ITR-ITB

Ceiling unit coolers

Application

Series with double air flux, designed for use in cold rooms for fresh and frozen goods with volume from 300 to 2000 m³. Unit designed for an easy maintenance with immediate access to the inspection areas.

This series is available as evaporator (DX or pump, HFC, NH₃, CO₂) and Brine unit cooler.

Standard design

Coil

Coil manufactured from corrugated aluminium fins and copper rippled tubes nominal diameter 12 mm for DX evaporator and smooth tubes nominal diameter 16 mm for Brine and NH₃ units.

Casing

It's manufactured from pre-painted aluminium sheets RAL 9010, protected by plastic film, suitable for applications where a high degree of hygiene is required and also for marine environment.

Fans

Three-phase motor 400V-50Hz, double fan speed Protection class IP 54 according to DIN 40050. Integrated thermal protection by thermo contacts, provide reliable protection against thermal overload.

Benefits

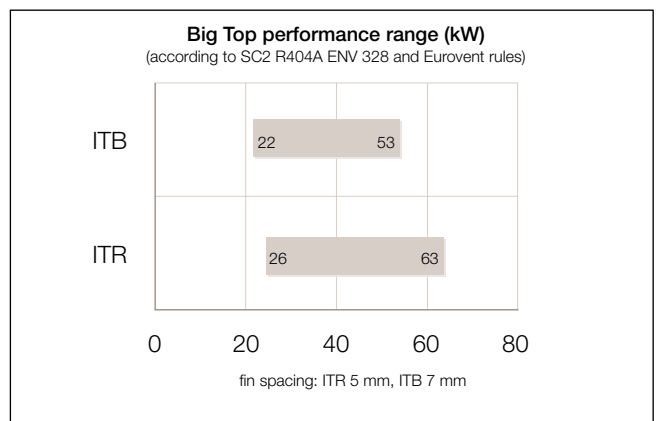
- Low power consumption fan motor
- Low noise level
- Easy access and maintenance
- Eurovent certificated

Optional

- Wiring to common connection box IP55
- Double Insulated drip trays
- Coil coating with three years warranty (only for ammonia application)
- Cataphoresis treatment
- Casing in stainless steel.
- No standard fin spacing (3,4,4.5and 6mm)
- Electric defrost
- Water defrost
- Low fan speed motor

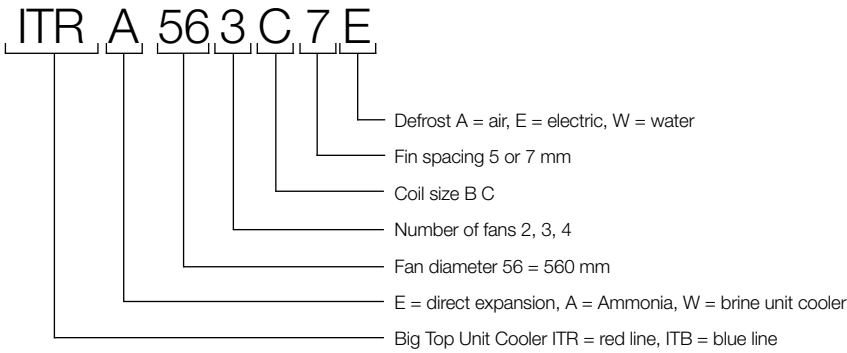


Ceiling Big Top - ITR-ITB

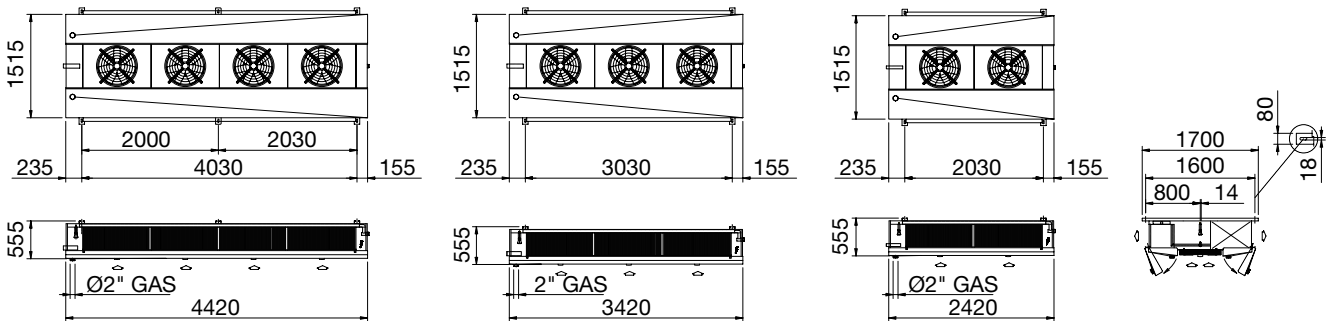


Typical application

Series	Red Line ITR	Blue Line ITB
Product	Fruit/vegetables/meat	Frozen food
Room temperature	10±0°C	-18÷-25°C
Standard fins spacing (mm)	5	7



Dimensions (mm)



PCT00054EN 0501

All rights reserved for changes in specifications

How to contact Alfa Laval

Up-to-date Alfa Laval contact details for all countries are always available on our website at www.alfalaval.com



Packaging - Processing
Bid on Equipment
 1-847-683-7720
www.bid-on-equipment.com