



ALDRUM Sludge Thickening System

Flocculation Reactor

ALDRUM Flocculation Reactors are a range of pressureless reactors with a specially designed "paddle" agitator that ensures a proper flocculation of the sludge. The reactors are designed to mix a polymer solution with a sludge in a way that optimises the flocculation of the solids in the sludge.

The agitator is also designed to be self-cleaning thus avoiding possible ragging problems.

The ALDRUM Flocculation Reactors are available in five sizes from 7 m³/h / 30 GPM up to 120 m³/h / 530 GPM on the basis of 1% DS sludge feed.

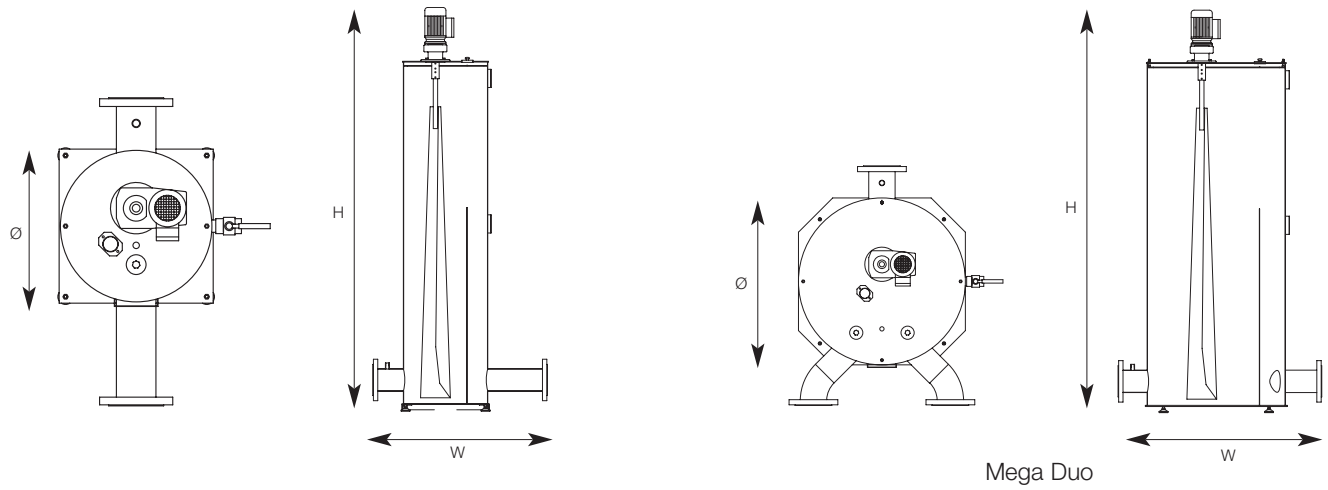
As the flocculated sludge flows to the ALDRUM Drum Thickener by gravity, the ALDRUM Flocculation Reactor must be installed at the same level as the ALDRUM Drum Thickener. Since the outlet of the ALDRUM Flocculation Reactor is attached directly to the inlet of the ALDRUM Drum Thickener, no pump is necessary between the ALDRUM Flocculation Reactor and the ALDRUM Drum Thickener.

The inclusion of the ALDRUM Flocculation Reactor is nearly always recommended, especially when difficult sludges are treated or when there is any uncertainty regarding the conditions of the sludge.



ALDRUM Flocculation Reactor Midi

Dimensions



Mega Duo

	Mini	Midi	Maxi	Mega	Mega Duo
Height	49"/1240 mm	72"/1820 mm	88"/2220 mm	110"/2775 mm	10"/2775 mm
Width	29"/725 mm	32"/825 mm	43"/1100 mm	47"/1200 mm	55"/1400 mm
Tank diameter	14"/350 mm	16"/400 mm	20"/500 mm	24"/600 mm	38"/975 mm
Weight (dry)	132 lb./100 kg	187 lb./125 kg	242 lb./180 kg	352 lb./250 kg	616 lb./350 kg

Materials

Cover (AISI)	304*
Tank (AISI)	304*
Agitator (AISI)	304*
Pipes (AISI)	304*
Flanges (Symalit)	Polypropylene

*316 optional



PEE00084EN 0511

Alfa Laval reserves the right to change specifications without prior notification.

How to contact Alfa Laval

Contact details for all countries are continually updated on our website. Please visit www.alfalaval.com to access the information direct.