



presents

THE ADCO MODEL 16B AND 16C TRI-SEALER

The ADCO Models 16B and 16C are three flap carton sealing machines. (ADCO has been manufacturing more and more of these machines each year.) The Model 16B is a right angle closer intended for the customer who doesn't have a lot of room or who might have an obstruction preventing the use of the straight line closure, the Model 16C.

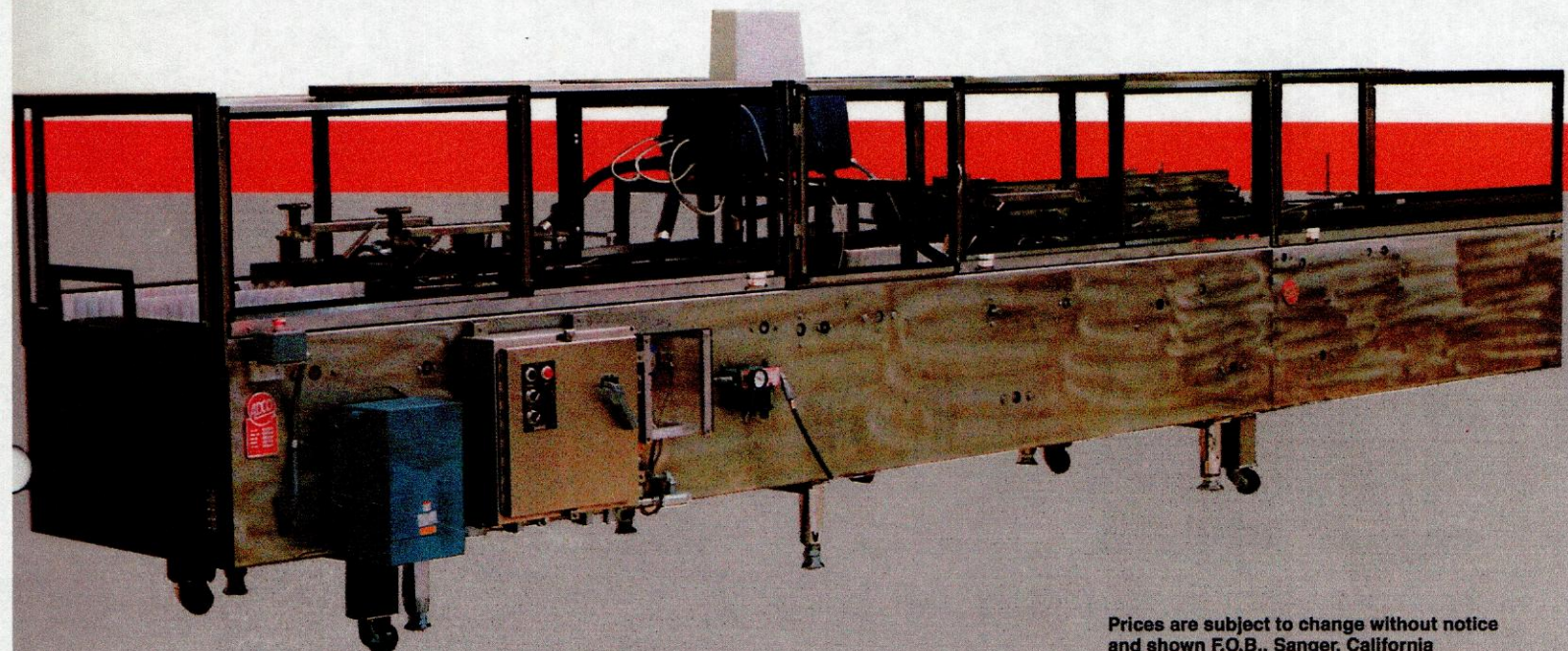
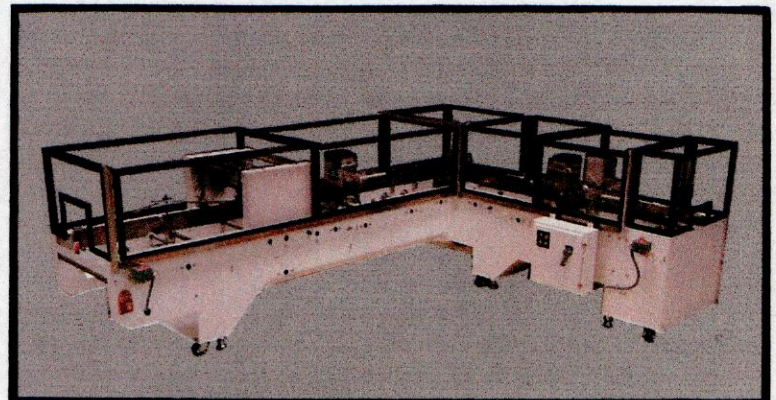
The Models 16B and 16C are capable of accepting formed and filled cartons at random and indexing them into the machine. The cartons can be discharged either to the right or to the left on the right angle machine and the carton can be accepted cover left, cover right on either model machine.

FEATURING:

- Epoxy coated semi-unitized formed steel frame with levelers and casters.
- Mechanical vari drive motor
- Quick adjustability in all three dimensions
- Main drive detent clutch
- Fully enclosed interlocked barrier guarding

CLOSURE METHODS

- ADCO Hot Melt System
- Leister Heat Seal System
- All other manufactured systems



CARTON SPECIFICATIONS

	Length	Width	Depth
MAXIMUM:	10"	8"	3"
MINIMUM:	4"	4"	1/2"

LARGER/SMALLER SIZES QUOTED ON REQUEST

OPTIONS:

- Washdown construction, stainless steel frame components and color or hard anodized aluminum components. NEMA 4x electricals.
- ADCO Deboss or Ink Coder
- Special carton size and configuration modifications
- High speed continuous motion infeeds
- Press-packs
- Special overhead through first sealing station
- #60 captured nickel plated chain
- Line drive coupling to ADCO AF Former Lines
- 2½ gallon self contained cooling system

SPEEDS

Model 16B 20-90CPM

Model 16C 25-120CPM/90-175CPM

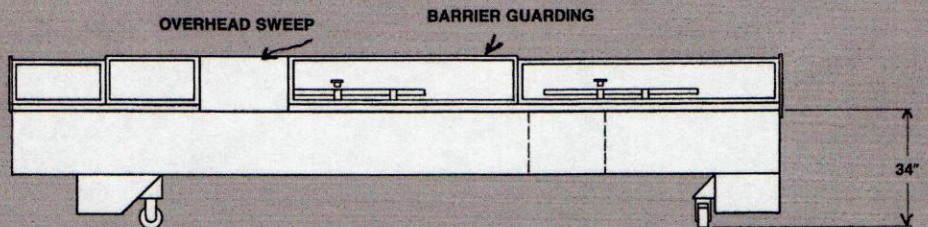
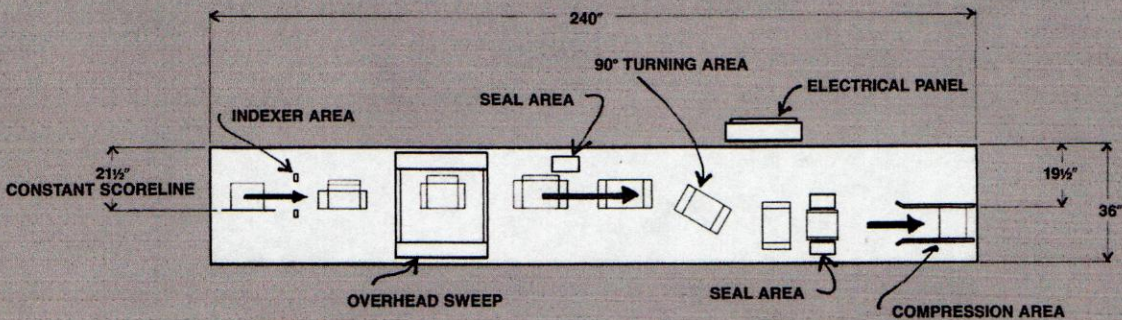
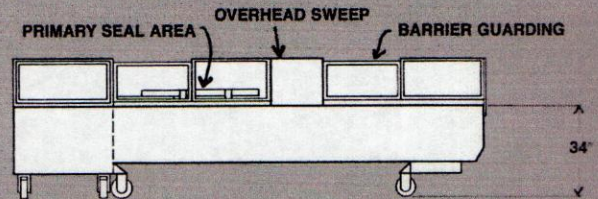
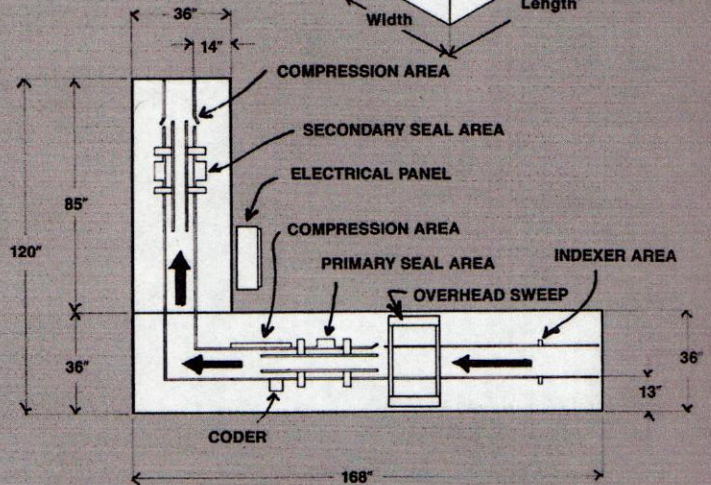
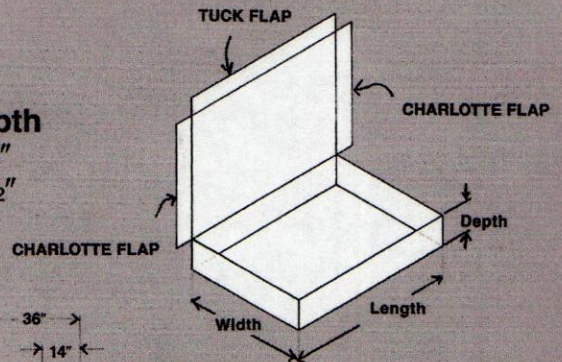
Dependent on carton size

Model 16CX variable to 250 CPM (separate sheet)

ELECTRICAL

230-460 Volt, 3 phase, 50-60 power, magnetic starter for all motors 110 voltage on control circuits

Other voltage available on request AC inverter or DC drives



2170 Academy ■ Sanger, California 93657 ■ (209) TELEX #703797 FAX (209)

Packaging - Processing
Bid on Equipment

1-847-683-7720

www.bid-on-equipment.com