



The First Name In Bakery

Adamatic AFBM French Bread Moulder

STANDARD FEATURES:

- Dough Capacity 2.8 oz. to 35 oz. (2.2 lbs.)
- Cast aluminum frame w/ABS case
- Cladding and in-feed chute epoxy painted
- Quiet operation
- Dual water repellant treated 100% wool moulding belts
- Right hand mounted control panel
- Safety touch bar
- 1500 pieces per hour production capability
- Easy to store w/swivel casters
- Easy to clean
- Cord included (no plug)
- Stand w/Casters included
- One year parts/labor warranty

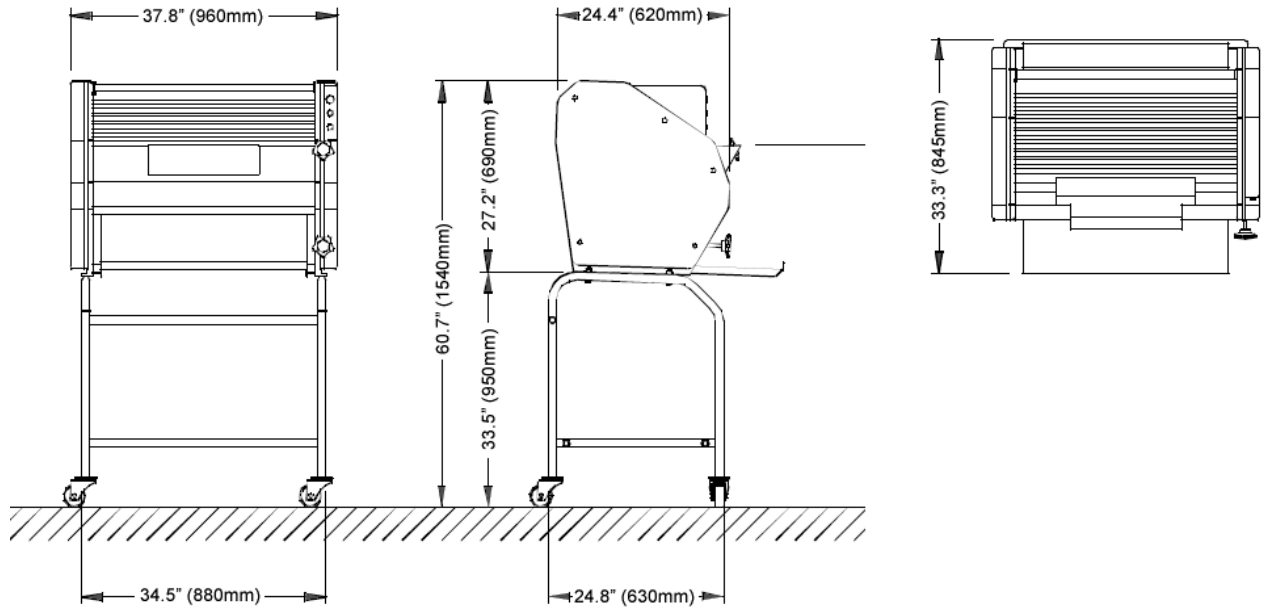


**Packaging - Processing
Bid on Equipment**
1-847-683-7720
www.bid-on-equipment.com

ADAMATIC, INC • 607 Industrial Way West, Eatontown, NJ 07724 • Phone: 732-544-8400 Toll-free: 800-526-2807 Fax: 732-544-1216 • www.adamatic.com

©9/2007 Product specifications may be changed without notice. Always obtain current spec sheet at time of purchase.

Belshaw/Adamatic Bakery Group



Model	AFBM
Dimensions	
Width	40" (1016 mm)
Depth including discharge chute	40.5" (1029 mm)
Loading height (with stand)	53" (1346 mm)
Discharge chute height (with stand)	34.5" (876 mm)
Height (overall)	60.75" (1543 mm)
Net weight	
	290 lbs (132 kg)
Electrical	
Volts	240V-60-3
Amps	1.3 A
Watts	550 W
Dough capacity	
Minimum	2.8 oz (80 g)
Maximum	35 oz (994 g)
Production output	
Pieces per hour	1500

Packaging - Processing
Bid on Equipment
 1-847-683-7720
www.bid-on-equipment.com