



The First Name In Bakery

Division of   Bakery Group

Adamatic ABDR-A Series Bun Divider/Rounder

14-52 Parts
3/4 Automatic

STANDARD FEATURES:

- Dough capacity 2.5 lbs. to 8.8 lbs.
- Finished weight 0.8 oz. to 8.75 oz. depending on model (see "Options" below for details)
- Cast iron base w/casters (easy to store)
- S/S cutting knives
- Aluminum alloy and interchangeable
- Teflon coated dividing disc
- Quiet belt driven operation
- Hydraulic pressing/cutting movement with electro-mechanical rounding operation
- 2800 pieces per hour production capability
- Adjustable weight bar
- Easy to clean dividing disc
- Includes 3 sanitary moulding plates
- Power cord (no plug)
- One year parts/labor warranty

ACCESSORIES:

- Additional moulding plates

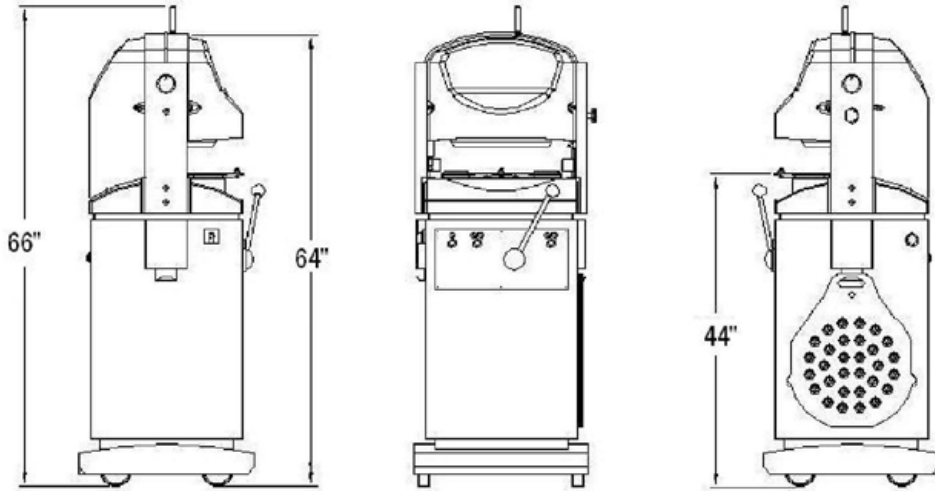
OPTIONS:

- ABDR-14A (14 part 4.5 oz. to 8.75 oz.)
- ABDR-30/3A (30 part 1 oz. to 3.5 oz.)
- ABDR-30/4A (30 part 1.4 oz. to 4.5 oz.)
- ABDR-36A (36 part 0.8 oz. to 3.9 oz.)





The First Name In Bakery



Model	ABDR-xxA
Dimensions	
Width	24.5" (620 mm)
Depth	26" (660 mm)
Loading height	44" (1110 mm)
Height (overall)	66" (1700 mm)
Net weight	836 lbs (380 kg)
Electrical	
Volts	240V-60-3
Amps	3.2 A
Watts	1.3 KW
Dough Capacity	
Minimum	2.5 lbs (1.1 kg)
Maximum	8.8 lbs (4 kg)
Final product weight range	1.1-3.9 oz (31-111 g)
Shipping info	
Shipping dimensions (inch)	30" W x 30" D x 74.5" H
Shipping dimensions (mm)	762mm W x 762 mm D x 1892 mm H
Shipping weight	946 lbs (375 kg)