



The First Name In Bakery

Division of

Belshaw

ADAMATIC

Bakery Group

Adamatic ABDR Series Bun Divider/ Rounder

14-36 Parts,
Semi-Automatic

STANDARD FEATURES:

- Dough capacity 2.5 lbs. to 8.8 lbs.
- Finished weight 0.8 oz. to 8.75 oz. depending on model (see "Options" below for details)
- Cast iron base w/casters (easy to store)
- S/S cutting knives
- Aluminum alloy/teflon coated dividing disc
- Quiet belt driven operation
- Removable pressing handle
- 2800 pieces per hour production capability
- Adjustable weight bar
- Easy to clean dividing disc
- Includes 3 sanitary moulding plates
- Power cord (no plug)
- One year parts/labor warranty

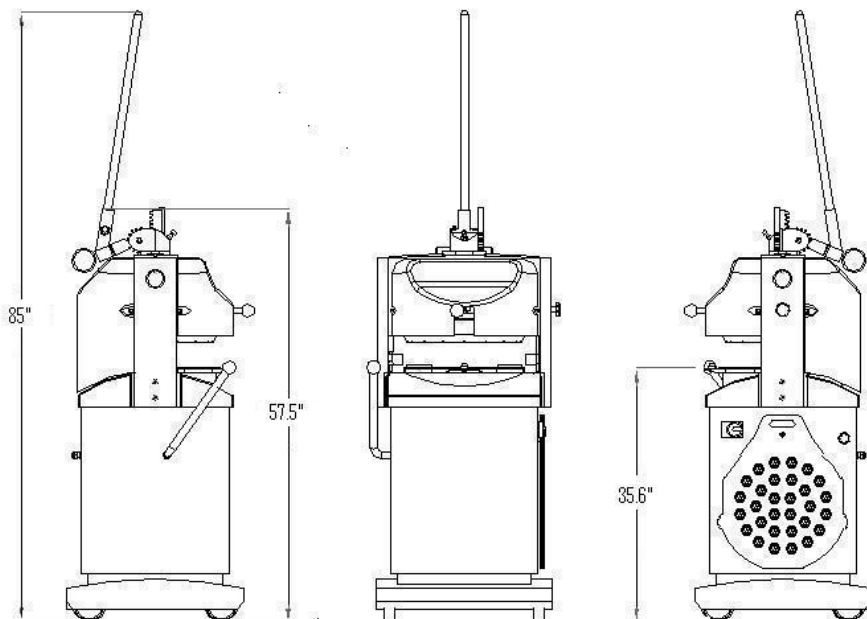
ACCESSORIES:

- Additional moulding plates

OTHER MODELS:

- ABDR-14 (14 part 4.5 oz. to 8.75 oz.)
- ABDR-30/3 (30 part 1 oz. to 3.5 oz.)
- ABDR-30/4 (30 part 1.4 oz. to 4.5 oz.)
- ABDR-36 (36 part 0.8 oz. to 3.9 oz.)





Model	ABDR-xx series
Dimensions	
Width	24.5" (620 mm)
Depth	26" (660 mm)
Loading height	35.5" (900 mm)
Height (excluding handle)	57.5" (1460 mm)
Height (overall)	85" (2155 mm)
Electrical	
Volts	240V-60-3
Amps	1.52 A
Watts	550 W
Dough Capacity	
Minimum	2.5 lbs (1.1 kg)
Maximum	8.8 lbs (4 kg)
Final product weight range	1.1-3.9 oz (31-111 g)
Shipping info	
Shipping dimensions (inch)	29.5" W x 29.5" D x 74.5" H
Shipping dimensions (mm)	749 mm W x 749 mm D x 1892 mm H
Shipping weight	825 lbs (375 kg)